

# HINVII™

High Intensity Non-Visible  
Intelligent Illumination

High Intensity Non-Visible Intelligent Illumination, or **HINVII™**. Designed to put personal safety at the forefront of the work zone.

Complete your work zone and add the HINVII™ 12volt **lighthead** to your fleet today.



Patent Pending\*

THE HINVII™ LIGHTHEAD *SHOWN ABOVE* USES SPECIALIZED LED'S TO TURN **ANY** HI-VIZ CLOTHING INTO AT WARNING DEVICE.



Patent Pending\*

Available in a vehicle  
mounted 12volt model

**OR**

Cone Mount-  
rechargeable design for a  
simple addition to your  
safety initiative.

## BEFORE HINVII™



## AFTER HINVII™



### IT'S BETTER TO BE SEEN

**HINVII™ Cone Mount.** A rechargeable universal traffic cone light system includes rechargeable unit with one HINVII lighthouse and AC wall charger. Instantly mounts to most traffic cones. Simply, point the HINVII Cone mount towards your work zone and see the effects immediately.

- Lifetime warranty on the Housing.
- 1 year warranty on the lithium Ion Battery
- 3 Warranty on the HINVI lighthouse.
- Lithium battery lasts 18-24 hours on a single charge
- Included 112v AC wall charger
- Made in USA



PART#	DESCRIPTION
<b>HINVI-2-6C</b>	HINVII™ - Non Visible, Personal Safety Lighthouse Traffic Cone mount * 112v rechargeable lithium ion battery

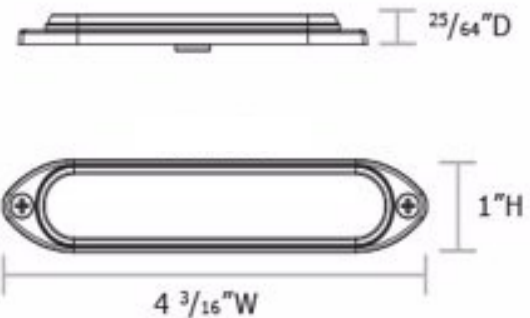


HINVII™ Non-Visible Personal Safety lighthouse. 12v lighthouse that easily surface mounts to any vehicle. A simple addition to any warning vehicle build. Contact us for more information!

- Ultra low profile
- Six super bright HINVI LEDs
- Robust design, die cast aluminum base
- Endless mounting possibilities

**\*\*SURFACE MOUNTS TO ANY VEHICLE \*\***

**Dimensions:** 1”H x 4 3/16”W x 25/64”D  
**Voltage:** 12volt DC  
**Amp draw:** 0.8 amps@ 12.8V DC



PART#	DESCRIPTION
<b>HINVI-2-6</b>	HINVII™ - Non Visible, Personal Safety Lighthouse, 9-32v Surface mount



151 Mill Rock Rd. East, Old Saybrook, CT 06475  
 860.388.3933 -

Proudly Distributed by:

